



TIRE SERVICE INTERNATIONAL

BS-7 CRN Cheetah® Bead Seater

buyTSI.com - 800.223.4540



READ INSTRUCTIONS THOROUGHLY BEFORE OPERATING

Tire Service International, LLC
3451 S. 40TH ST.
Phoenix, AZ 85040

Office: 602.437.5020
Email: sales@buytsi.com
Fax: 602.437.5025

Contact us for any assistance

800.223.4540

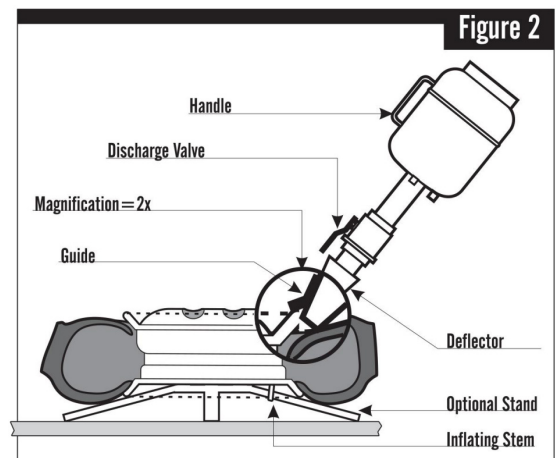
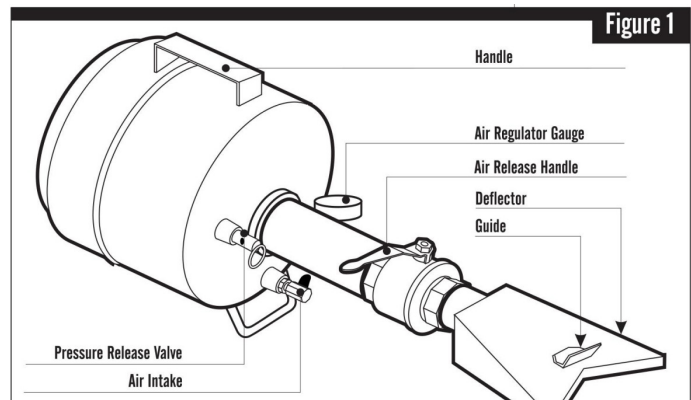
Revised: April 2026

Safety Requirements

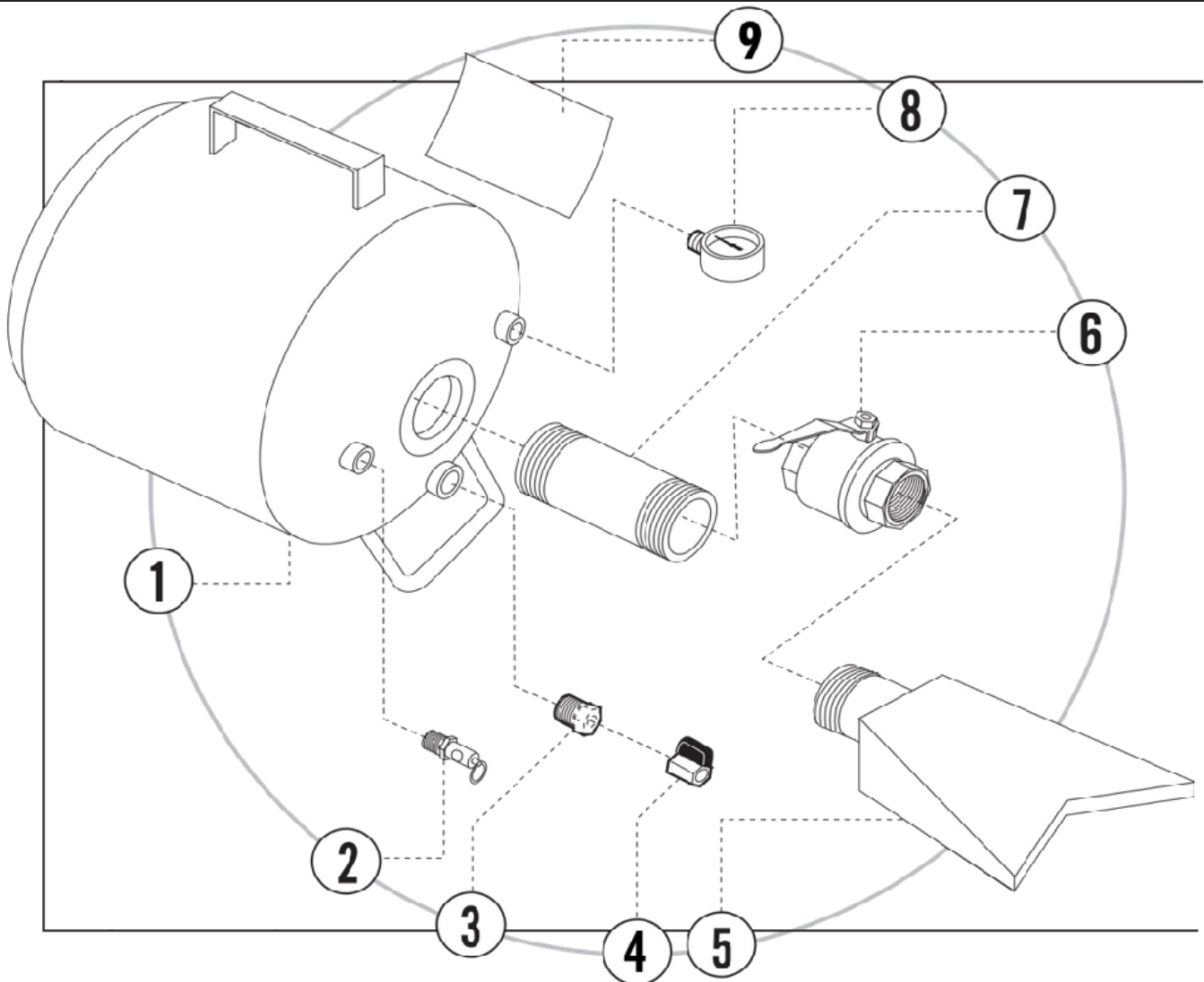
1. WARNING - Personal Protective Equipment: Safety goggles, gloves, non-skid shoes and hearing protection are to be worn .
2. WARNING - Keep bystanders and children out of the work area while operating this tool.
3. WARNING -Always keep work clean, uncluttered, and well lit. Do Not work on floor surfaces that are slippery.
4. WARNING - Air under pressure can cause severe injury. Always point safely away.
5. WARNING - Detach from air supply and release all air pressure before transporting, adjusting any accessory, or performing maintenance. Failure may result in injury.
6. WARNING - Inspect before each use. Do not use if damaged parts are noted. All units that have been dropped, impacted suddenly, or dented should be removed from service.
7. WARNING - Do not tamper with the safety valve. Do not modify or alter the Bead Seater in any way .

Operating Instruction

1. Put on protective equipment
2. Clear working area 20 feet around tire
3. Lay mounted tire flat on floor with narrow bead up and inflating stem facing down (Refer to Figure 2)
4. Place optional Stand under rim near inflating stem
5. Fill bead seater tank to 60 PSI from compressed air supply (practice a few times at this pressure and increase pressure as necessary).
6. Safety pop-off is set at 120 PSI.
7. Attach self-holding chuck from air supply to inflating stem on rim
8. Hold bead seater at an approximately 45 degree angle from floor with guide on top of rim.
9. HOLD HANDLE TIGHT
10. Quickly open discharge valve.
11. Extremely difficult tires may require a higher pressure. For tires larger than truck tires a greater volume of air is needed. Larger units are available.



Repair Parts



ID	Description	Part #
1	Air Tank	N/A
2	Valve, Safety Release 120 PSI	05.102-120
3	Reducer Bushing 3/4 x 1/4	01.107
4	Valve, Ball Silver/Black	04.103
5	Flared barrel, BS-7	6813
6	Discharge Valve, CH-10	03.102
7	Nipple 6 BS-7	02.104BS
8	Air Pressure Gauge 1/4 NPT 200 PSI	01.106-200
9	Decal - BS-07	01.114

California Proposition 65

California's Proposition 65 entitles California consumers to special warnings for products that contain chemicals known to the state of California to cause cancer and birth defects or other reproductive harm if those products expose consumers to such chemicals above certain threshold levels.

WARNING: Some of Tire Service International's products can expose you to chemicals including chromium compounds, which are known to the State of California to cause cancer, birth defects or other reproductive harm. For more information, go to www.P65Warnings.ca.gov.

Your risk from exposure to these chemicals varies, depending on exposure time. To reduce your exposure, work in a well-ventilated area and with approved safety equipment, such as dust masks that are specially designed to filter out microscopic particles. Wash your hands after touching TSI's products.

Warranty and Return Policy

Warranty & Workmanship you can depend on.

With over 30 years of manufacturing experience we maintain the ability to provide competitive prices while employing and manufacturing the majority of our products in the USA. Pride in our workmanship and standing behind each and every product is not just our claim but our uncompromising responsibility.

Tire Service International equipment is warranted to be free from defects in materials and workmanship for a period of one year from the date of original purchase to the original owner. Repair labor is warranted for 90 days from the date of original purchase. Bushings, blades, bearings and normal wear and tear are not covered under warranty. Careless handling, negligence, misuse, abuse, mutilation, improper operation, making unauthorized repairs, additions, and or alterations automatically cancel this warranty and relieves TSI of any obligation. Cheetah tanks claimed to be defective while under warranty will be evaluated at our manufacturing plant and either repaired if possible or exchanged and returned or credit issued to the customer account at our discretion. Damage resulting from dropping the tanks will not receive warranty consideration. Warranty parts need to be returned prepaid to the plant for credit. Any replacement parts shipped from the plant will be shipped at the customer's expense. Machines requiring warranty work must be brought to the manufacturing plant in 201 Chelsea Rd, Monticello, MN or to a repair facility authorized by TSI.

!!WARNING!! Goods returned without an RGA will be refused. A Returned Goods Authorization form must be obtained before returning any material or goods. All non-warranty returns will be subject to a 15% restocking fee plus any additional charges for reconditioning/repacking.



Visit www.buyTSI.com for any additional information. Also be sure to follow us on all the Socials, and subscribe to our YouTube channel for all our product videos.

No part of this manual may be reproduced without specific approval from
Tire Service International, LLC.

Copyright © 2026 Tire Service International, LLC