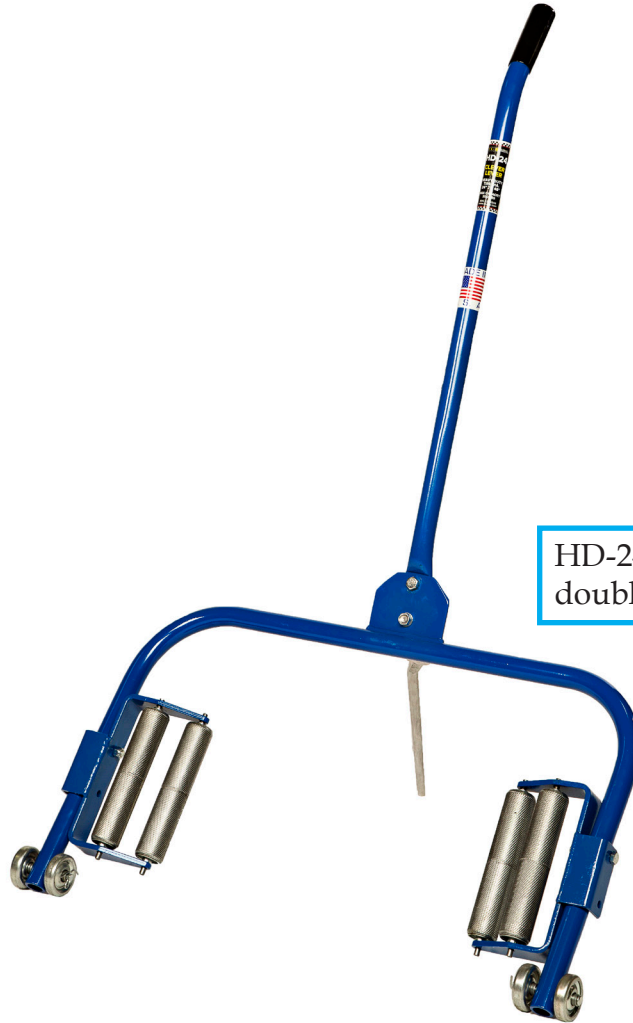




TIRE SERVICE INTERNATIONAL

# HD-22, 24, 26 Clever Lever<sup>®</sup>

**buyTSI.com - 800.223.4540**



HD-24 Shown with  
double roller bracket.



**READ INSTRUCTIONS THOROUGHLY BEFORE OPERATING**

**Tire Service International, LLC**

3451 S. 40TH ST.  
Phoenix, AZ 85040

Office: 602.437.5020  
Email: [sales@buytsi.com](mailto:sales@buytsi.com)  
Fax: 602.437.5025

**Contact us for any assistance**

**800.223.4540**

Revised: March 2024

# General Description

The Clever Lever® allows one person to easily move tires up to 300 lbs., helping to prevent back injuries. Simply roll the Clever Lever® under the tire, lift, and pull. One hand holds the handle and the other hand stabilizes the tire. To replace a tire, simply push it back in place, rotate and tilt for quick alignment with the studs, and push on the remaining distance.

There are three versions:

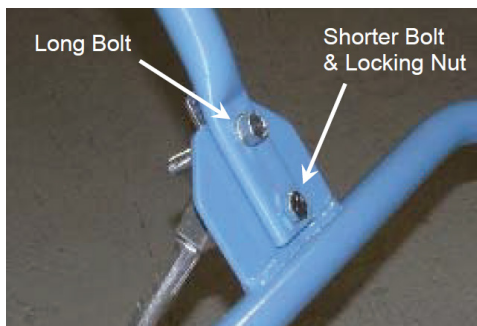
1. HD-22 Clever Lever ® fits light/medium duty pickups to tractors and trailer tires 24" to 36"
2. HD-26 Clever Lever ® fits tires 36" to 48"
3. New Model - HD-24 Clever Lever ® fits tires from 24" to 48" (range of HD-22 & HD-26)

# Safety Requirements

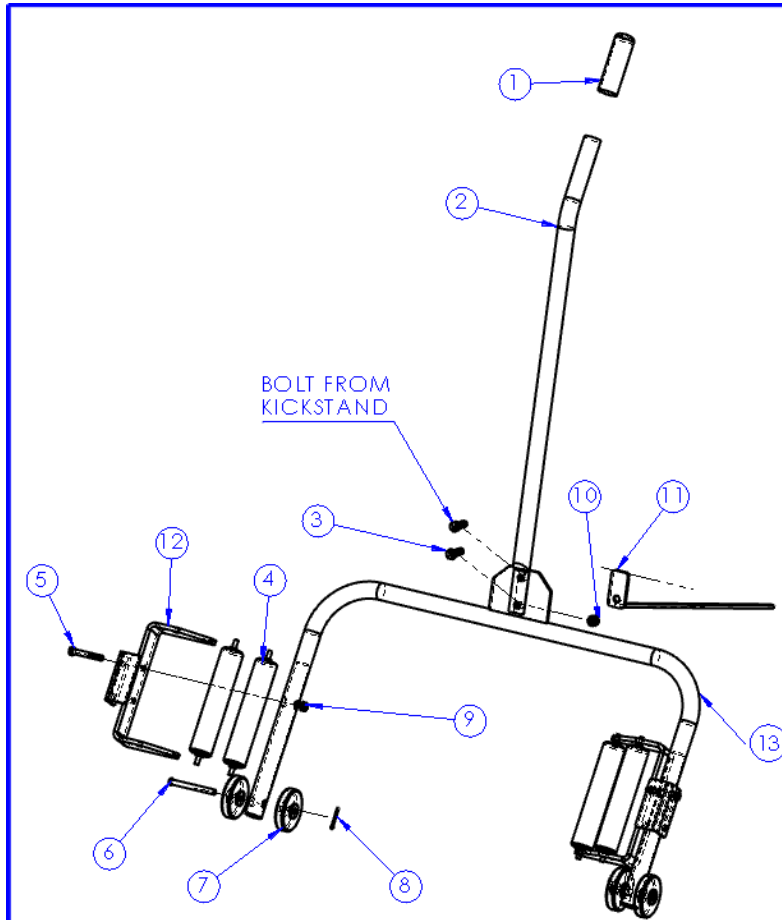
1. Before each use visually inspect the unit for loose fittings or damaged items
2. Keep the area of use clean and free of obstacles
3. Steady the tires while moving

# Setup and Maintenance Instructions

- Assemble the handle with the short bolt closer to the frame
- Lubricate the rollers and wheels as necessary and tighten any loose parts.



# Parts Listing (HD-24 shown)



ITEM NO.	PART NUMBER	DESCRIPTION	QTY.
1	231	GRIP, HANDLE 1 X 4 BLACK	1
2	11659	HANDLE	1
3	447	HHCS 3/8-16 X 1-1/4 LRG	1
4	11613	GRAVITY ROLL, 1.375 X 7.0	4
5	10084	HHCS, .3125-18 X 2	2
6	11608	CLEVIS PIN, 5-16 X 3 OAL	2
7	11612	1.940 X .560 WIDE WHEEL	4
8	1436	COTTER PIN 1/8 DIA X 1-1/4 LONG	2
9	566	5/16-18 LOCK NUT	2
10	212-N	3/8-16 NYLOC NUT	1
11	11611	KICKSTAND, 285 MM	1
12	6489	BRACKET, ROLLER WELDMENT	2
13	6086	YOKE WELDMENT	2

NOTE: 1. REMOVE ALL BURRS AND SHARP EDGES.

111 0180 0114 0000-0000 K&B-770 0100000000 0000		ASSEMBLY	LOUIS W	1:50	10/24/2023	TSI	DESCRIPTION HD-24	DATE 10/11
							CLEVER LEVER 24"-48"	
							HD-24	1

## Replacement Parts (all models)

- 231 Grip 1" Hand
- 1436 Pin, Cotter 1/8 x 1
- 11608 Pin, Clevis 5/16 x 3 Plated 2 27/32 to cl pin hole
- 11611 Kickstand 285MM
- 11612 Wheel Steel Ball Bearing
- 11613 Roller, Gravity 7.00" (Clever Lever)
- 11659 Handle, 3/4 Sch 80

# California Proposition 65

California's Proposition 65 entitles California consumers to special warnings for products that contain chemicals known to the state of California to cause cancer and birth defects or other reproductive harm if those products expose consumers to such chemicals above certain threshold levels.

**WARNING:** Some of Tire Service International's products can expose you to chemicals including chromium compounds, which are known to the State of California to cause cancer, birth defects or other reproductive harm. For more information, go to [www.P65Warnings.ca.gov](http://www.P65Warnings.ca.gov).

Your risk from exposure to these chemicals varies, depending on exposure time. To reduce your exposure, work in a well-ventilated area and with approved safety equipment, such as dust masks that are specially designed to filter out microscopic particles. Wash your hands after touching TSI's products.

## Warranty and Return Policy

Warranty & Workmanship you can depend on.

With over 30 years of manufacturing experience we maintain the ability to provide competitive prices while employing and manufacturing the majority of our products in the USA. Pride in our workmanship and standing behind each and every product is not just our claim but our uncompromising responsibility.

Tire Service International equipment is warranted to be free from defects in materials and workmanship for a period of one year from the date of original purchase to the original owner. Repair labor is warranted for 90 days from the date of original purchase. Bushings, blades, bearings and normal wear and tear are not covered under warranty. Careless handling, negligence, misuse, abuse, mutilation, improper operation, making unauthorized repairs, additions, and or alterations automatically cancel this warranty and relieves TSI of any obligation. Cheetah tanks claimed to be defective while under warranty will be evaluated at our manufacturing plant and either repaired if possible or exchanged and returned or credit issued to the customer account at our discretion. Damage resulting from dropping the tanks will not receive warranty consideration. Warranty parts need to be returned prepaid to the plant for credit. Any replacement parts shipped from the plant will be shipped at the customer's expense. Machines requiring warranty work must be brought to the manufacturing plant in 201 Chelsea Rd, Monticello, MN or to a repair facility authorized by TSI.

**!!WARNING!!** Goods returned without an RGA will be refused. A Returned Goods Authorization form must be obtained before returning any material or goods. All non-warranty returns will be subject to a 15% restocking fee plus any additional charges for reconditioning/repacking.

Visit [www.buyTSI.com](http://www.buyTSI.com) for any additional information. Also be sure to follow us on all the Socials, and subscribe to our YouTube channel for all our product videos.

No part of this manual may be reproduced without specific approval from  
Tire Service International, LLC.

Copyright © 2024 Tire Service International, LLC

