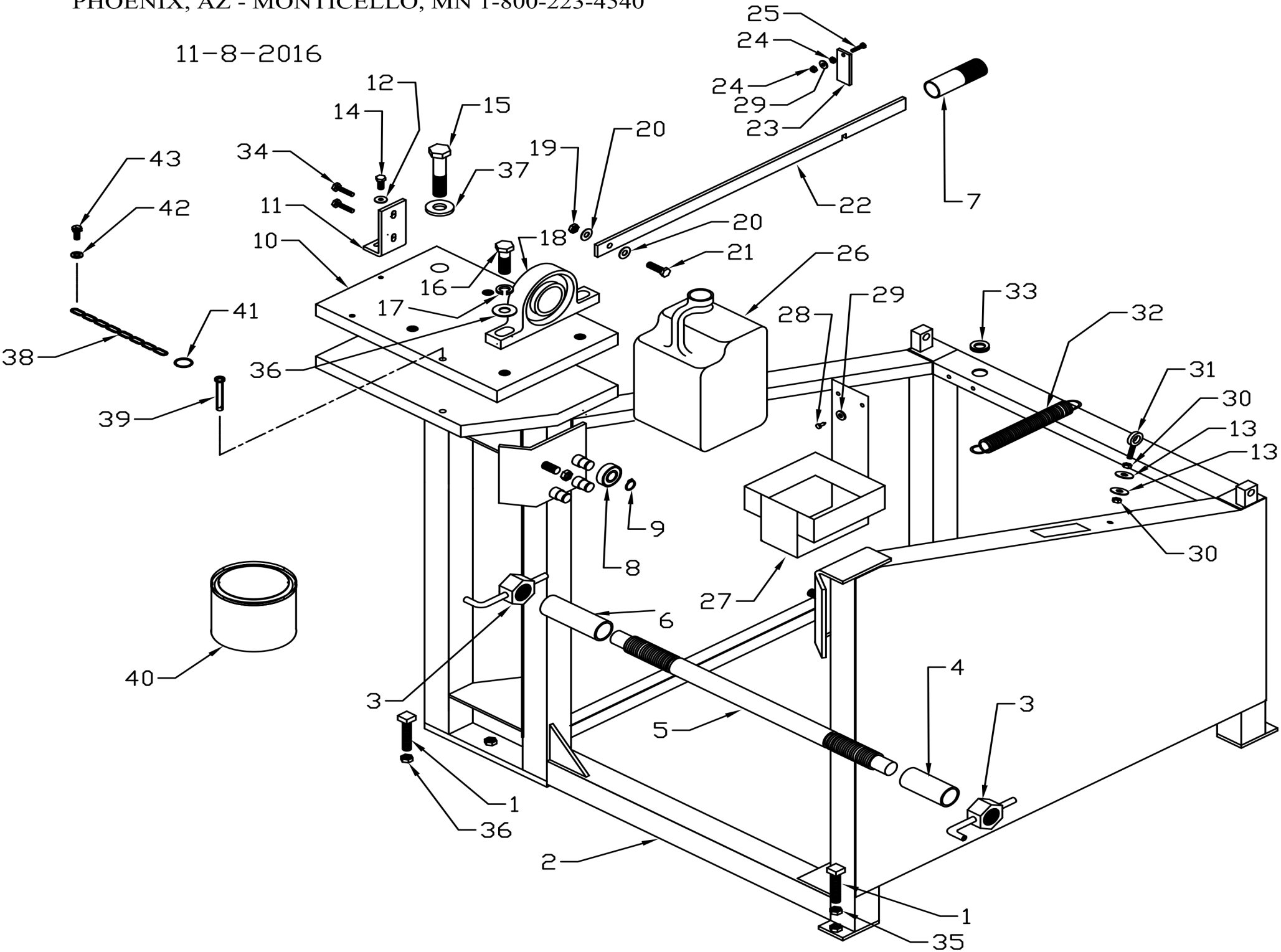




TIRE SERVICE
INTERNATIONAL

PHOENIX, AZ - MONTICELLO, MN 1-800-223-4540

11-8-2016





TIRE SERVICE INTERNATIONAL

PHOENIX, AZ - MONTICELLO, MN 1-800-223-4540

STEM BASE ASSY PARTS LIST

10-13-16

PARTS LIST

ITEM	PART NO.	DESCRIPTION	QTY
1	218.028	SET SCRE 1/2-13 X 2-1/2 LG.	2
2	89.834	LOWER FRAME	1
3	2.849	TIGHTENING NUT	2
4	438.268	MED. TUBE	2
5	102.104	MANDREL SHAFT	1
6	437.268	LONG TUBE	1
7	15.550	GRIP	2
8	79.107	BALL BEARING	8
9	77.044	RETAINING RING	8
10	956.101	BEARING SUPPOT PLATE	1
11	32.878	BRACKET	1
12	1318	WASHER 5/16	3
13	445	WASHER FLAT 1/4	2
14	1737	CAP SCREW 5/16-18 X 3/4 LG.	1
15	196.028	CAP SCREW 3/4-10 X 3-1/2	1
16	4412	CAP SCREW 5/8-11 X 2 LG.	4
17	544	WASHER, LOCK 5/8 I.D.	4
18	91.107	BEARING PILLOW BLOCK	2
19	212	NUT, SELF LOCK 3/8-16	1
20	1318	WASHER, FLAT 3/8	2
21	447	CAP SCREW 3/8-16 X 1-1/4	1
22	90.070	HANDLE	1

PARTS LIST

ITEM	PART NO.	DESCRIPTION	QTY
23	54.298	SAFETY SHIELD	1
24	4570	NUT, HEX #10-24	2
25	3118	MACHINE SCREW #10-24 X 1 LG.	1
26	99.625	COOLANT CONTAINER	1
27	5677	CONTAINER BRACKET	1
28	4239	SELF TAPPING SCREW	2
29	4288	WASHER, FLAT 3/16 I.D.	3
30	214	NUT 1/4-20	2
31	269.028	EYE BOLT	1
32	74.110	SPRING	1
33	4357	GROMMET	2
34	3405	CAP SCREW 5/16-18 X 1-1/4 LG.	2
35	26.055	NUT, HEX JAM 1/2-13	2
36	987	WASHER, FLAT 5/8 PLATED	4
37	3530	WASHER, FLAT 1' PLATED	1
38	4795-1	CHAIN, TWIN LOOP	1
39	10047	PIN, STOP	1
40	10787	MARINE GREASE (14OZ CONTAINER)	1
41	800	SPLIT RING	1
42	1318	WASHER 5/16	1
43	1737	CAP SCREW 5/16-18 X 3/4 LG.	1

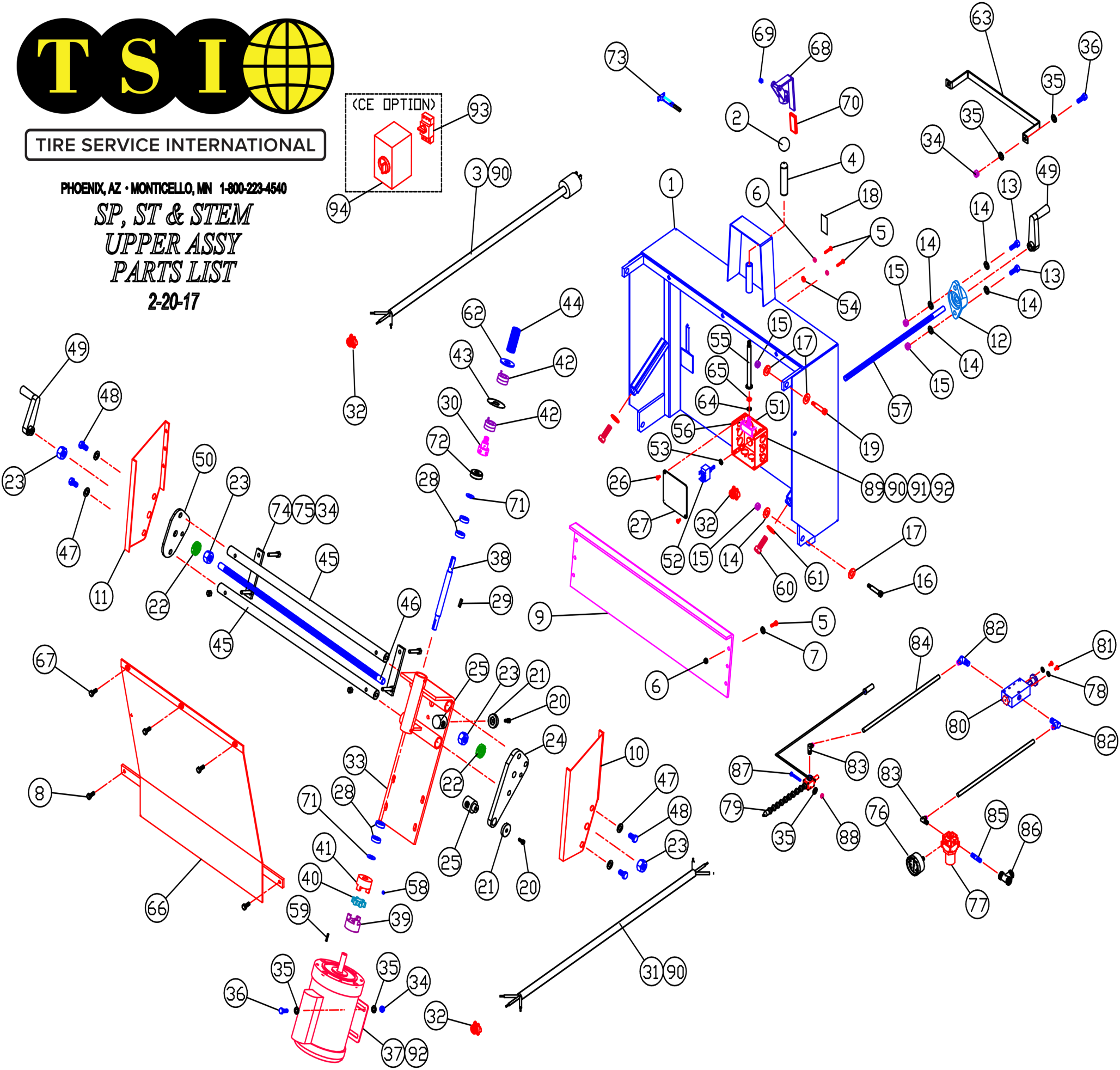
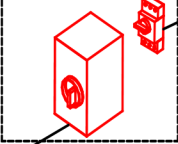


TIRE SERVICE INTERNATIONAL

PHOENIX, AZ • MONTICELLO, MN 1-800-223-4540

SP, ST & STEM
UPPER ASSY
PARTS LIST
2-20-17

(CE OPTION)





UPPER ASSY SP, ST STEM

REPAIR PARTS BOM

Page 1 of 3

PN: 0000

BEGINNING SERIAL NO.0000

2/20/2017

TIRE SERVICE INTERNATIONAL

PARTS LIST

ITEM	PART NO.	DESCRIPTION	QTY
1	18.825	UPPER COVER WELD	1
2	4780	KNOB	1
3	4243	CORD ELEC 3 PRONGE MOLDED PLUG	1
4	15.550	GRIP	1
5	903	CAP SCREW 1/4-20 X 3/4	8
6	226	NUT, SELF LOCK 1/4-20	8
7	445	WASHER, FLAT 1/4	6
8	4222	CAP SCREW, SELF TAP 5/16-18 X 3/4	2
9	4479	GUARD	1
10	4461L	GUARD, SIDE (LH)	1
11	4461R	GUARD, SIDE (RH)	1
12	75.107	PILLOW BLOCK BEARING	1
13	1306	CAP SCREW 3/8-16 X 1	2
14	1318	WASHER, FLAT 3/8	8
15	212	NUT, SELF LOCK 3/8	6
16	274.028	SHOULDER BOLT	2
17	224	WASHER, FLAT 1/2	4
18	4038-4	ON/OFF DECAL	1
19	273.028	SHOULDER BOLT	2
20	213.028	MACH SCREW 1/4-20 X 3/4	2
21	129.055	RETAINING NUT	2
22	4806	BEARING	2
23	40.489	SHAFT COLLAR W/SET SCREW (SERIAL #S 1000-1215)	1
	4855	NUT, HEX W/SET SCREW (SERIAL #S 1216-)	2
24	52.013	CROSSFEED GUIDE	1
25	128.055	CROSSFEED NUT	2
26			
27	4195	COVER, BOX FLAT 4" SQ	1

PARTS LIST

ITEM	PART NO.	DESCRIPTION	QTY
*28	72.107	BEARING, BALL	4
29	33.251	KEY 1/8 SQ X 3/4	1
*30	53.242	DRIVE SHAFT ARBOR	1
31	4267	CORD ELEC (MOTOR TO SWITCH)	1
32	12255	STRAIN RELIEF 1/2 NPT	3
33	27.848	MOTOR MOUNT WELD	1
34	566	NUT, SELF LOCK 5/16-18	10
35	1318	WASHER, FLAT 5/16	15
36	3405	CAP SCREW 5/16-18 X 1	6
37	31.259	MOTOR 1HP, 60 HZ, 1725 RPM	1
*38	100.104	DRIVE SHAFT	1
**39	31.034A	COUPLER 5/8 DIA BORE	1
**40	31.034C	SPIDER	1
**41	31.034B	COUPLER 1/2 DIA BORE	1
42	24.929	BLADE GUIDE (A) .250 CUT SPACING	1
	25.929	BLADE GUIDE (AA) .300 CUT SPACING	1
	26.929	BLADE GUIDE (D) .350 CUT SPACING	1
	27.929	BLADE GUIDE (E) .400 CUT SPACING	1
43	18.071	BLADE	1
44	62.242	LEAD SCREW (13) 13/32 CUT DEPTH	1
	55.242	LEAD SCREW (11) 11/32 CUT DEPTH	1
	56.242	LEAD SCREW (9) 9/32 CUT DEPTH	1
	57.242	LEAD SCREW (7) 7/32 CUT DEPTH	1
	58.242	LEAD SCREW (5) 5/32 CUT DEPTH	1
45	250.149	CROSSFEED ROD	2
46	54.242	CROSSFEED SCREW (SERIAL #S 1000-1215)	1
	59.242	CROSSFEED SCREW (SERIAL #S 1216-)	1
47	5.108	LOCK WASHER STAR EXT. 7/16	4



TIRE SERVICE INTERNATIONAL

UPPER ASSY SP, ST STEM

REPAIR PARTS BOM

Page 2 of 3

PN: 0000

BEGINNING SERIAL NO.0000

2/20/2017

PARTS LIST			
ITEM	PART NO.	DESCRIPTION	QTY
48	262.028	CAP SCREW 7/16-20 X 3/4	4
49	4954	CRANK W/HANDLE	2
50	51.013	CROSSFEED GUIDE	1
51	4194	BOX CONDUIT 4" SQ	1
52	4038-1	SWITCH, TOGGLE	1
53	4038-2	NUT, KNURLED	1
54	4038-3	NUT, HEX	1
55	5712	SHAFT SWITCH	1
56	3738-1	SWITCH PUSH BUTTON	1
57	61.242	ANGLE ADJUSTMENT SCREW	1
58	4241	SET SCREW 1/4-20 X 1/4	3
59	572	KEY 3/6 X 1	1
60	206	CAP SCREW 1/2-13 X 1-1/2	2
61	535	NUT, HEX 1/2-13	2
62	224	WASHER	1
63	202.017	GUARD	1
64	3738-2	NUT, KNURLED	1
65	3738-3	NUT, HEX	1
66	5768	SHIELD WELD	1
67	1737	CAP SCREW 5/16-18 X 3/4	3
68	5786	HANDLE SWITCH	1
69	1308	SET SCREW 3/8-16	2
70	10031	GRIP	1
71	4182	WASHER-SHIM 1/2 X 3/4 X .010	2
*72	10875	CUP, RETAINING	1
73	10652	TIRE TREAD DEPTH GAUGE	1
74	11964	BRACE, CROSSFEED ROD	2
75	3406	HHCS 5/16-18 X 1-3/4	4
76	7.023A	AIR GUAGE	1
77	15.190	AIR REGULATOR	1

PARTS LIST			
ITEM	PART NO.	DESCRIPTION	QTY
78	127.028	WASHER, LOCK INTERNAL STAR #10	2
79	167.190	MISTER SPRAY UNIT	1
80	252.190	VALVE BODY	1
81	256.028	MACHINE SCREW #10-32 X 3/8	4
82	342.096	ELBOW, PUSH IN (M) 1/4NPT 1/4 TUBE	2
83	379.096	ELBOW, MALE 1/8NPT	2
84	460.268	HOSE	2
85	117	NIPPLE, CLOSE 1/4NPT X 1-1/2	1
86	283	TEE, 1/4NPT BRASS	1
87	4266	HHCS #10-24 X 1-1/2	1
88	4570	NUT, HEX #10-24	1
89	701	1/2 NPT CONDUIT LOCKNUT	4
90	1204	FLANGED SPADE TERMINAL	9
91	11859	CONNECTOR ELEC 3 WIRES	1
92	12467	CONNECTOR, ELEC 5 WIRES	2
*	5.964	DRIVESHAFT ASSY (INCLUDES ITEMS *)	1
**	31.034	COUPLER COMPLETE (INCLUDES ITEMS **)	1
	28.816	FILE	1
	10756	3/32" HEX ALLEN WRENCH	1
	10757	1/8" HEX ALLEN WRENCH	1
	10758	5/32" HEX ALLEN WRENCH	1
	10759	3/16" HEX ALLEN WRENCH	1
	10760	1/4" HEX ALLEN WRENCH	1
REF	4244	DECAL - DANGER	1
REF	4634	DECAL - IMPORTANT	1
REF	1701	DECAL - PSI	1
REF	4773	DECAL - PARTS & SERVICE	1
REF	4712	DECAL - TRACTION WEAR RIDE	2
REF	4716	DECAL - IDENTIFICATION	2
REF	4772	DECAL - HUB INFLATE	1



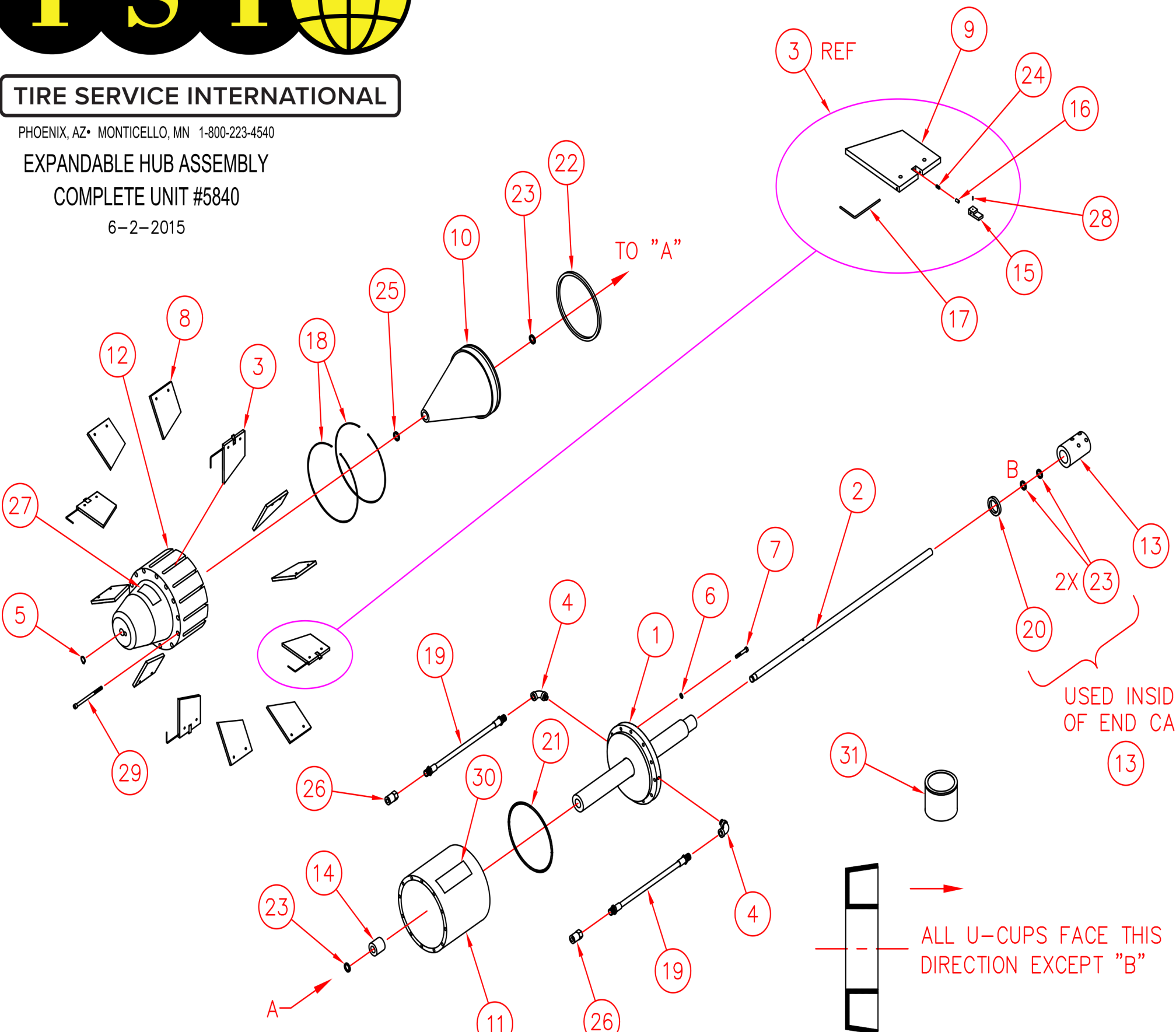
TIRE SERVICE INTERNATIONAL

PHOENIX, AZ • MONTICELLO, MN 1-800-223-4540

EXPANDABLE HUB ASSEMBLY

COMPLETE UNIT #5840

6-2-2015

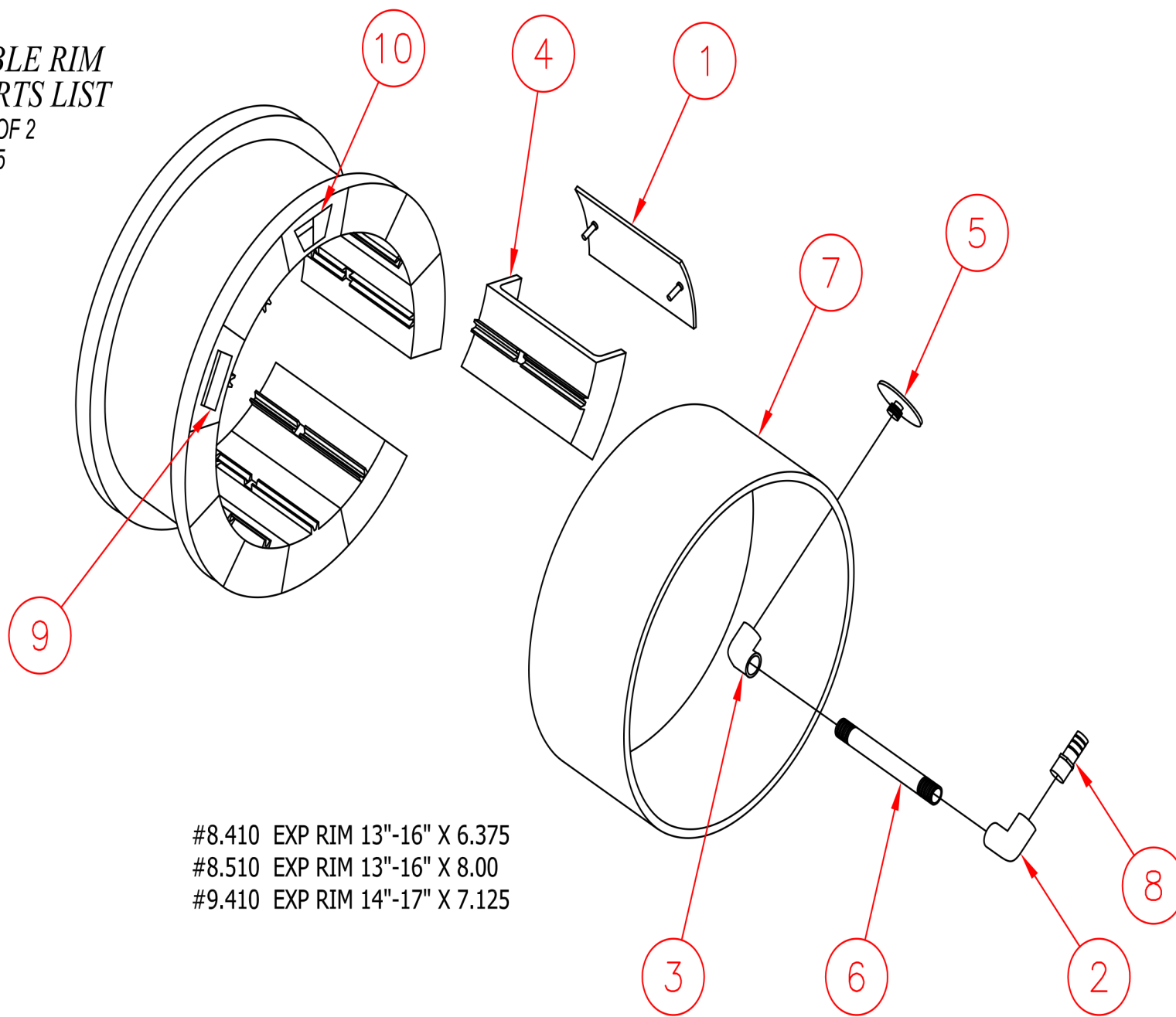




TIRE SERVICE INTERNATIONAL

*EXPANDABLE RIM
REPAIR PARTS LIST*

PAGE 1 OF 2
6-3-15





TIRE SERVICE INTERNATIONAL

EXPANDABLE RIM ASSY CHARTS

REPAIR PARTS BOM

Page 2 of 2

PN: 0000

BEGINNING SERIAL NO.0000

6/3/2015

PARTS LIST #8.410 EXP RIM 13"-16" X 6.375

ITEM	PART NO.	DESCRIPTION	QTY
1	5774	SLIDE PLATE	12
2	4919	ELBOW REDUCER 1/4 NPT X 1/8 NPT X 90	2
3	4794-2	ELBOW REDUCER 1/4 NPTF X 1/8 NPT X 90	2
4	4871	CASTING SECTION ALUM-365	12
5	4884	END NOZZLE	2
6	4918	NIPPLE	2
7	4955	BELT, RUBBER	1
8	4980	COUPLER, MALE, 1/4 NPT MALE	2
9	4998	NAME PLATE	1
10	10185	DECAL - WARNING (PINCH POINT)	2

PARTS LIST #8.510 EXP RIM 13"-16" X 8.00

ITEM	PART NO.	DESCRIPTION	QTY
1	5798	SLIDE PLATE	12
2	4919	ELBOW REDUCER 1/4 NPT X 1/8 NPT X 90	2
3	4794-2	ELBOW REDUCER 1/4 NPTF X 1/8 NPT X 90	2
4	10046	CASTING SECTION ALUM-365	12
5	4884	END NOZZLE	2
6	4918	NIPPLE	2
7	10055	BELT, RUBBER	1
8	4980	COUPLER, MALE, 1/4 NPT MALE	2
9	10853	NAME PLATE	1
10	10185	DECAL - WARNING (PINCH POINT)	2

PARTS LIST #9.410 EXP RIM 14"-17" X 7.125

ITEM	PART NO.	DESCRIPTION	QTY
1	10671	SLIDE PLATE	12
2	4919	ELBOW REDUCER 1/4 NPT X 1/8 NPT X 90	2
3	4794-2	ELBOW REDUCER 1/4 NPTF X 1/8 NPT X 90	2
4	10672	CASTING SECTION ALUM-365	12
5	4884	END NOZZLE	2
6	4918	NIPPLE	2
7	10675	BELT, RUBBER	1
8	4980	COUPLER, MALE, 1/4 NPT MALE	2
9	10688	NAME PLATE	1
10	10185	DECAL - WARNING (PINCH POINT)	2

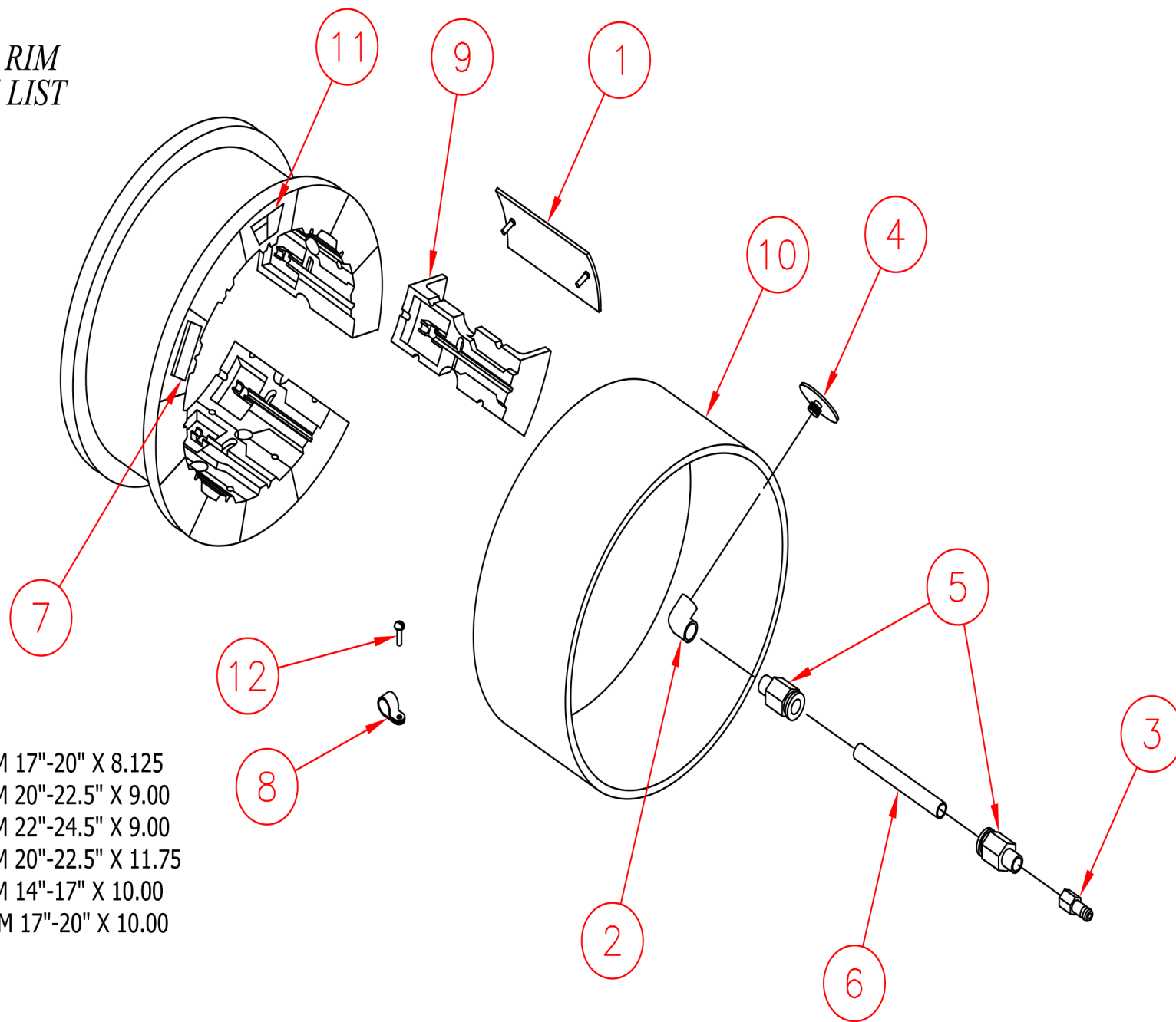


TIRE SERVICE INTERNATIONAL

*EXPANDABLE RIM
REPAIR PARTS LIST*

PAGE 1 OF 3

6-3-15



- #10.410 EXP RIM 17"-20" X 8.125
- #11.410 EXP RIM 20"-22.5" X 9.00
- #12.410 EXP RIM 22"-24.5" X 9.00
- #13.410 EXP RIM 20"-22.5" X 11.75
- #14.710 EXP RIM 14"-17" X 10.00
- #172010 EXP RIM 17"-20" X 10.00



EXPANDABLE RIM ASSY CHARTS

REPAIR PARTS BOM

Page 2 of 2

PN: 0000

BEGINNING SERIAL NO.0000

6/3/2015

TIRE SERVICE INTERNATIONAL

PARTS LIST #10.410 EXP RIM 17"-20" X 8.125

ITEM	PART NO.	DESCRIPTION	QTY
1	5962	SLIDE PLATE	12
2	1278	ELBOW REDUCER 1/4 NPTF	2
3	4980	COUPLER, MALE, 1/4 NPT FEMALE	2
4	10002	END NOZZLE	2
5	10054	PUSH LOCK, NYLON 3/8 OD X 1/4 NPT	2
6	10080	HOSE 3/8 OD X 5-1/2" LG	2
7	10185	DECAL - WARNING (PINCH POINT)	2
8	10680	CLAMP, CABLE, NYLON 5/8	2
9	10643	CASTING SECTION ALUM-365	12
10	10644	BELT, RUBBER	1
11	10689	NAME PLATE	1
12	265.028	PAN HD SLOT #10-32 X 3/8	2

PARTS LIST #11.410 EXP RIM 20"-22.5" X 9.00

ITEM	PART NO.	DESCRIPTION	QTY
1	5993	SLIDE PLATE	12
2	1278	ELBOW REDUCER 1/4 NPTF	2
3	4980	COUPLER, MALE, 1/4 NPT FEMALE	2
4	10002	END NOZZLE	2
5	10054	PUSH LOCK, NYLON 3/8 OD X 1/4 NPT	2
6	10080	HOSE 3/8 OD X 8-1/4" LG	2
7	10185	DECAL - WARNING (PINCH POINT)	2
8	10680	CLAMP, CABLE, NYLON 5/8	2
9	10790	CASTING SECTION ALUM-365	12
10	10821	BELT, RUBBER	1
11	10851	NAME PLATE	1
12	265.028	PAN HD SLOT #10-32 X 3/8	2

PARTS LIST #12.410 EXP RIM 22"-24.5" X 9.00

ITEM	PART NO.	DESCRIPTION	QTY
1	5788	SLIDE PLATE	12
2	1278	ELBOW REDUCER 1/4 NPTF	2
3	4980	COUPLER, MALE, 1/4 NPT FEMALE	2
4	10002	END NOZZLE	2
5	10054	PUSH LOCK, NYLON 3/8 OD X 1/4 NPT	2
6	10080	HOSE 3/8 OD X 8-1/4" LG	2
7	10185	DECAL - WARNING (PINCH POINT)	2
8	10680	CLAMP, CABLE, NYLON 5/8	2
9	4986	CASTING SECTION ALUM-365	12
10	4990	BELT, RUBBER	1
11	10690	NAME PLATE	1
12	265.028	PAN HD SLOT #10-32 X 3/8	2

PARTS LIST #13.410 EXP RIM 20"-22.5" X 11.75

ITEM	PART NO.	DESCRIPTION	QTY
1	5982	SLIDE PLATE	12
2	1278	ELBOW REDUCER 1/4 NPTF	2
3	4980	COUPLER, MALE, 1/4 NPT FEMALE	2
4	10002	END NOZZLE	2
5	10054	PUSH LOCK, NYLON 3/8 OD X 1/4 NPT	2
6	10080	HOSE 3/8 OD X 8-1/4" LG	2
7	10185	DECAL - WARNING (PINCH POINT)	2
8	10680	CLAMP, CABLE, NYLON 5/8	2
9	10761	CASTING SECTION ALUM-365	12
10	10765	BELT, RUBBER	1
11	10854	NAME PLATE	1
12	265.028	PAN HD SLOT #10-32 X 3/8	2



TIRE SERVICE INTERNATIONAL

EXPANDABLE RIM

ASSY CHARTS

REPAIR PARTS BOM

Page 2 of 2

PN: 0000

BEGINNING SERIAL NO.0000

6/3/2015

PARTS LIST #14.710 EXP RIM 14"-17" X 10.00

ITEM	PART NO.	DESCRIPTION	QTY
1	6104	SLIDE PLATE	12
2	1278	ELBOW REDUCER 1/4 NPTF	2
3	4980	COUPLER, MALE, 1/4 NPT FEMALE	2
4	10002	END NOZZLE	2
5	10054	PUSH LOCK, NYLON 3/8 OD X 1/4 NPT	2
6	10080	HOSE 3/8 OD X 8-1/4" LG	2
7	10185	DECAL - WARNING (PINCH POINT)	2
8	10680	CLAMP, CABLE, NYLON 5/8	2
9	11779	CASTING SECTION ALUM-365	12
10	11864	BELT, RUBBER	1
11	11861	NAME PLATE	1
12	265.028	PAN HD SLOT #10-32 X 3/8	2

PARTS LIST #172010 EXP RIM 17"-20" X 10.00

ITEM	PART NO.	DESCRIPTION	QTY
1	11865	SLIDE PLATE	12
2	1278	ELBOW REDUCER 1/4 NPTF	2
3	4980	COUPLER, MALE, 1/4 NPT FEMALE	2
4	10002	END NOZZLE	2
5	10054	PUSH LOCK, NYLON 3/8 OD X 1/4 NPT	2
6	10080	HOSE 3/8 OD X 8-1/4" LG	2
7	10185	DECAL - WARNING (PINCH POINT)	2
8	10680	CLAMP, CABLE, NYLON 5/8	2
9	11818	CASTING SECTION ALUM-365	12
10	11866	BELT, RUBBER	1
11	11862	NAME PLATE	1
12	265.028	PAN HD SLOT #10-32 X 3/8	2

STEM Internal Components

REPAIR PARTS BOM
(Air Supply To Lift Option)

PN: 0000
BEGINNING SERIAL NO.xxxx
10/13/2016

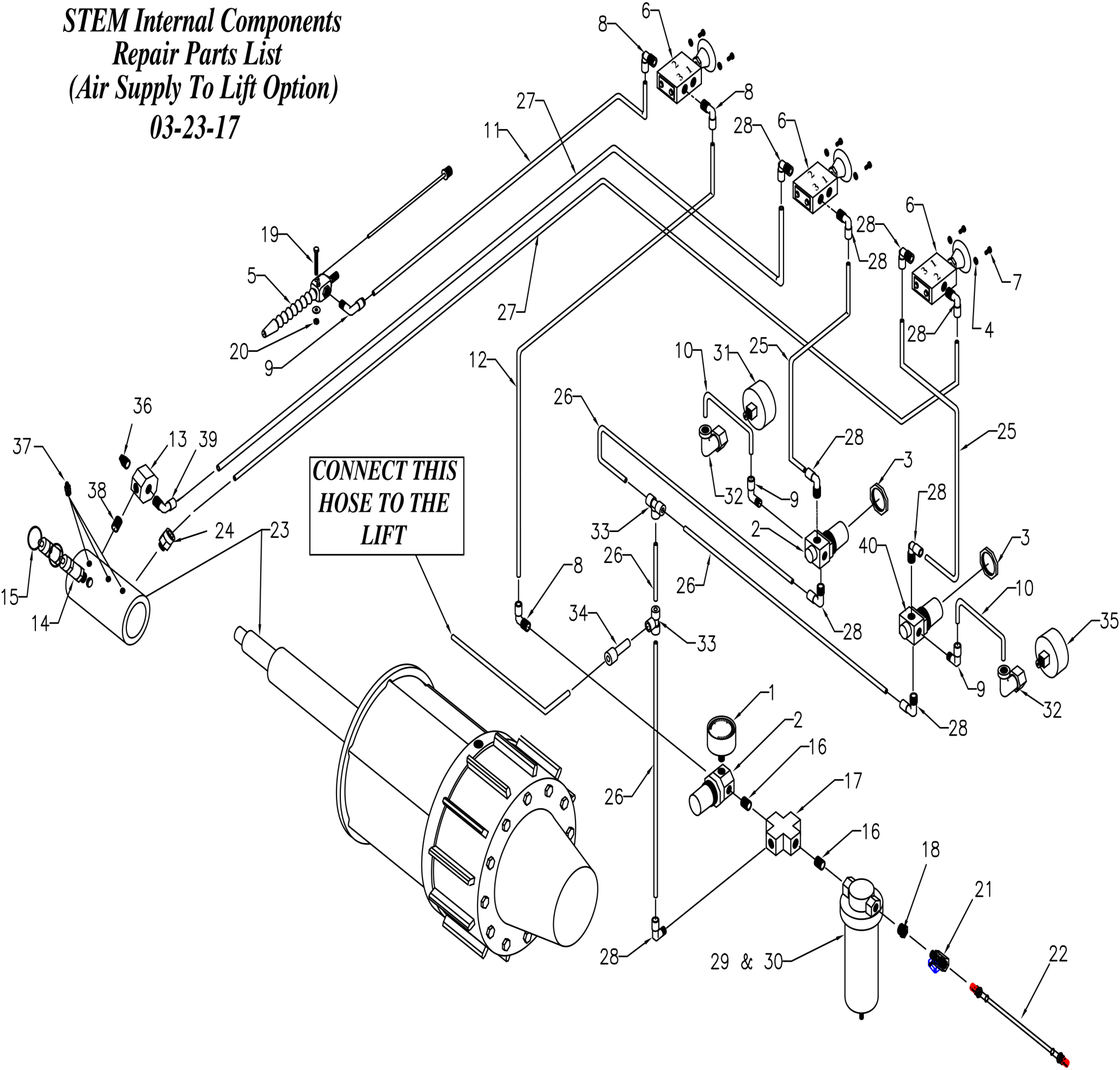
PARTS LIST

ITEM	PART NO.	DESCRIPTION	QTY
1	7.023A	PRESSURE GAUGE 0-160 PSI	1
2	15.190	AIR REGULATOR	3
3	41.055	NUT 1-1/4 7UNC-2B HEX	2
4	127.028	WASHER #10 INTERNAL TOOTH	6
5	167.190	SPRAY MIST UNIT	1
6	252.190	VALVE	3
7	265.028	MACH SCR 8-32 X 3/8 ROUND HD	6
8	342.096	ELBOW 90 DEG 1/4 OD X 1/4 NPT	3
9	379.096	ELBOW 90 DEG 1/4 OD X 1/8 NPT	3
10	460.268-1	HOSE 1/4 OD X 10" LG	2
11	460.268-2	HOSE 1/4 OD X 32" LG	1
12	460.268-3	HOSE 1/4 OD X 32" LG	1
13	85.190	QUICK RELEASE	1
14	239-30	PRESSURE RELIEF VALVE (SET @ 30 PSI)	1
15	239-175	PRESSURE RELIEF VALVE (SET @ 175 PSI)	1
16	778	CLOSE NIPPLE 1/4 NPT	2
17	911	PIPE CROSS 1/4 NPT	1
18	1323	REDUCER BUSHING 1/2 X 1/4	1
19	4266	MACH SCR 10-24 X 1-1/2 LG	1
20	4570	NUT 10-24 HEX	1
21	4813	VALVE, SHUT OFF	1
22	4931	HOSE 1/4 ID X 14" LG	1
23	5840	EXPANDABLE HUB	1
24	10054	PUSHLOK 3/8 OD X 1/4 NPT (M) NYLON	2
25	10080-1	HOSE 3/8 OD X 10" LG	2
26	10080-2	HOSE 3/8 OD X 15" LG	4
27	10080-3	HOSE 3/8 OD X 81" LG	2
28	10215	ELBOW PUSHLOK 3/8 X 1/4 NPT (M) X 90	9
29	10676	WATER EXTRACTOR	1
30	10676-1	FILTER ELEMENT, WATER EXTRACTOR	1

PARTS LIST

ITEM	PART NO.	DESCRIPTION	QTY
31	11554.160	GAUGE, PANEL MOUNT 0-160 PSI	1
32	11765	ELBOW 1/4 OD X 1/4 NPT 90 DEG	2
33	11884	TEE, PUSHLOK 3/8 OD	2
34	12123	REDUCER, PUSHLOK 3/8 OD X 1/4 OD	1
35	11554.60	GAUGE, PANEL MOUNT 0-60 PSI	1
36	1767	MUFFLER	1
37	3995	GREASE ZERK 1/8 X 65 DEG	3
38	117B	NIPPLE BRASS 1 1/4 X 1/4 NPT (M) NYLON	1
39	10215	ELBOW PUSHLOCK 3/8 X 1/4 NPT (M) NYLON	1
40			
41			
42			
43			
44			
45			
46			
47			
48			
49			
50			
51			
52			
53			
54			
55			
56			
57			
58			
59			
60			

***STEM Internal Components
Repair Parts List
(Air Supply To Lift Option)
03-23-17***



STEM Internal Components

REPAIR PARTS BOM
(Air Supply To Lift Option)

PN: 0000
BEGINNING SERIAL NO.xxxx
3/23/2017

PARTS LIST

ITEM	PART NO.	DESCRIPTION	QTY
1	7.023A	PRESSURE GAUGE 0-160 PSI	1
2	15.190	AIR REGULATOR	2
3	41.055	NUT 1-1/4 7UNC-2B HEX	2
4	127.028	WASHER #10 INTERNAL TOOTH	6
5	167.190	SPRAY MIST UNIT	1
6	252.190	VALVE	3
7	265.028	MACH SCR 8-32 X 3/8 ROUND HD	6
8	342.096	ELBOW 90 DEG 1/4 OD X 1/4 NPT	3
9	379.096	ELBOW 90 DEG 1/4 OD X 1/8 NPT	3
10	460.268-1	HOSE 1/4 OD X 10" LG	2
11	460.268-2	HOSE 1/4 OD X 32" LG	1
12	460.268-3	HOSE 1/4 OD X 32" LG	1
13	85.190	QUICK RELEASE	1
14	239-30	PRESSURE RELIEF VALVE (SET @ 30 PSI)	1
15	239-175	PRESSURE RELIEF VALVE (SET @ 175 PSI)	1
16	778	CLOSE NIPPLE 1/4 NPT	2
17	911	PIPE CROSS 1/4 NPT	1
18	1323	REDUCER BUSHING 1/2 X 1/4	1
19	4266	MACH SCR 10-24 X 1-1/2 LG	1
20	4570	NUT 10-24 HEX	1
21	4813	VALVE, SHUT OFF	1
22	4931	HOSE 1/4 ID X 14" LG	1
23	5840	EXPANDABLE HUB	1
24	10054	PUSHLOK 3/8 OD X 1/4 NPT (M) NYLON	1
25	10080-1	HOSE 3/8 OD X 10" LG	2
26	10080-2	HOSE 3/8 OD X 15" LG	4
27	10080-3	HOSE 3/8 OD X 81" LG	2
28	10215	ELBOW PUSHLOK 3/8 X 1/4 NPT (M) X 90	9
29	10676	WATER EXTRACTOR	1
30	10676-1	FILTER ELEMENT, WATER EXTRACTOR	1

PARTS LIST

ITEM	PART NO.	DESCRIPTION	QTY
31	11554.160	GAUGE, PANEL MOUNT 0-160 PSI	1
32	11765	ELBOW 1/4 OD X 1/4 NPT 90 DEG	2
33	11884	TEE, PUSHLOK 3/8 OD	2
34	12123	REDUCER, PUSHLOK 3/8 OD X 1/4 OD	1
35	11554.60	GAUGE, PANEL MOUNT 0-60 PSI	1
36	1767	MUFFLER	1
37	3995	GREASE ZERK 1/8 X 65 DEG	3
38	117B	NIPPLE BRASS 1 1/4 X 1/4 NPT (M) NYLON	1
39	10215	ELBOW PUSHLOCK 3/8 X 1/4 NPT (M) NYLON	1
40	12640-40	AIR REGULATOR	1
41			
42			
43			
44			
45			
46			
47			
48			
49			
50			
51			
52			
53			
54			
55			
56			
57			
58			
59			
60			



***WHEEL HOLDING ADAPTER
REPAIR PARTS LIST
REV 10-12-15***

<u>PART#</u>	<u>QTY</u>	<u>DESCRIPTION</u>
SSG #30901		20" Dayton Adapter
203.033	(1)	20" Cast Adapter Plate
218.028	(3)	Set Screw 1/2-13 x 3
40.489	(3)	Shaft Guide
50.013	(3)	Lock Bar
26.055	(3)	Nut Hex 1/2.13
SSG #31901		22" Dayton Adapter
206.033	(1)	22" Cast Adapter Plate
218.028	(3)	Set Screw 1/2-13 x 3
40.489	(3)	Shaft Guide
50.013	(3)	Lock Bar
26.055	(3)	Nut, Hex 1/2-13
SSG #32901		24" Dayton Adapter
207.033	(1)	24" Cast Adapter Plate
218.028	(3)	Set Screw 1/2-13 x 3
40.489	(3)	Shaft Guide
50.013	(3)	Lock Bar
26.055	(3)	Nut, Hex 1/2-13

BUDD WHEEL ADAPTERS

SSG #33901		11.25 x 10
79.038	(1)	Cast Adapter Plate (REF. Casting Dwg 205.033)
1373	(5)	Wheel Stud 1-1/8
1374	(5)	Nut, Wheel 1-1/8
748	(5)	Cap Screw 3/4-16
SSG #39901		8.75 x 10
4786	(1)	Cast Adapter Plate
1373	(5)	Wheel Stud 1-1/8
1374	(5)	Nut, Wheel 1-1/8
748	(5)	Cap Screw 3/4-16

<u>PART#</u>	<u>QTY</u>	<u>DESCRIPTION</u>
SSG #42901		285.75mm x 10 Unimount
4789	(1)	Cast Adapter Plate
4722	(5)	Stud 1-8 x 4 Pl.
747	(15)	Nut, 1-8 Hex Jam Pl.
SSG #43901		335 mm x 10 Unimount
4788	(1)	Cast Adapter Plate
4722	(5)	Stud 1-8 x 4 Pl.
747	(15)	Nut, 1-8 Hex Jam Pl.
SSG #47901		8 x 5
4787	(1)	Cast Adapter Plate
1836	(15)	Nut, 3/4-16 Hex Jam
4777	(5)	Set Screw 3/4-16 x 4



***WHEEL HOLDING ADAPTER
REPAIR PARTS LIST
10-12-15***

<u>PART#</u>	<u>QTY</u>	<u>DESCRIPTION</u>
SSG #45901	8.75 x 6	
4790	(1)	Cast Adapter Plate
3672	(9)	Nut, 3/4-16 Hex Jam
4777	(3)	Set Screw 3/4-16 x 4
SSG #41901	7.25 x 6	
4791	(1)	Cast Adapter Plate
4776	(3)	Cap Screw 5/8-11 2 1/2
630	(6)	Nut, Hex Jam 5/8-11
SSG #34901	275mm x 8	
4792	(1)	Cast Adapter Plate
4777	(4)	Set Screw 3/4-16 x 4
3672	(8)	Nut 3/4-16 Hex Jam
10151	(4)	Nut, Wheel Tapered 3/4-16
4722	(4)	Stud 1-8 x 4 Pl.
747	(12)	Nut 1-8 Hex Jam Pl.
SSG #48901	6.5 x 8	
4793	(1)	Cast Adapter Plate
4776	(4)	Cap Screw 5/8-11 x 2 1/2
630	(8)	Nut, Hex Jam 5/8-11
SSG #40901	225mm x 8	
10534	(1)	Cast Adapter Plate
218.028	(4)	Set Screw 1/2-13 x 3
26.055	(4)	Nut, Hex 1/2-13

EXPANDING RIMS

8410	(1)	Expanding Rim 13-16 x 6.375
8510	(1)	Expanding Rim 13-16 x 8.00
9410	(1)	Expanding Rim 14-17 x 7.125
10410	(1)	Expanding Rim 17-20 x 8.25
11410	(1)	Expanding Rim 20-22.5 x 9.00
12410	(1)	Expanding Rim 22-24.5 x 9.00
13410	(1)	Expanding Rim 20-22.5 x 11.75
14410	(1)	Expanding Rim 22-24.5 x 13.375
141710	(1)	Expanding Rim 14-17 x 10
172010	(1)	Expanding Rim 17-20 x 10

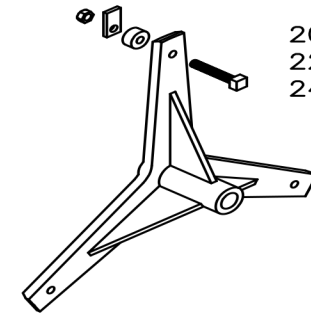
ADAPTERS

78.038	(1)	Inner Adapter
77.038-13	(1)	Outer Adapter
77.038	(1)	Outer Adapter

Wheel Holding Adapters Repair Parts

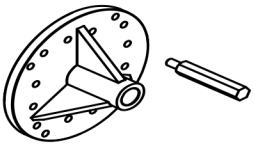
10-9-15

DAYTON ADAPTERS

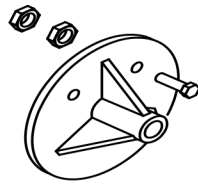


20" PN 30901
22" PN 31901
24" PN 32901

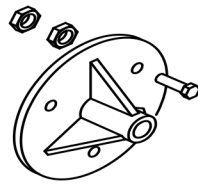
BUDD ADAPTERS COMPLETE ASSEMBLY



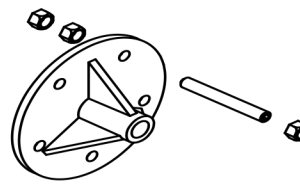
6.56 X 4
170mm X 4
180mm X 4
8.25 X 4
225mm X 4
225 X 3 (10 Lug)
1/2-20 HEX STUD
6367K



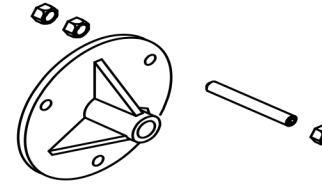
6.5 X 8
5/8 STUD
48901



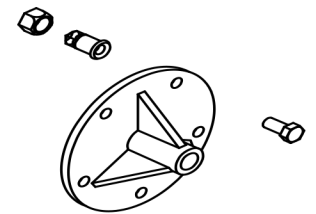
7.25 X 6
5/8 STUD
41901



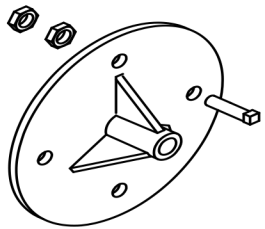
8 X 5
3/4 STUD
47901



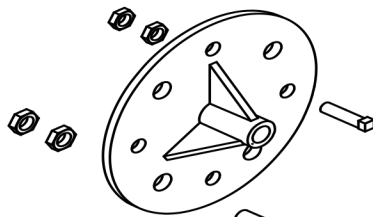
8.75 X 6
3/4 STUD
45901



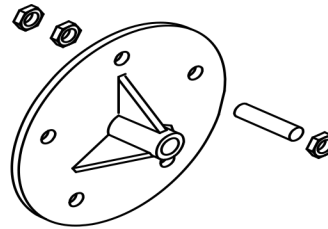
8.75 X 10
1-1/8 STUD
39901



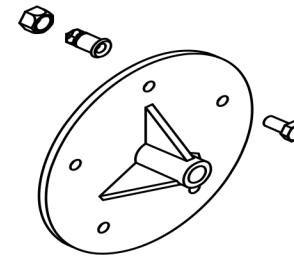
225mm X 8
1/2 STUD
40901



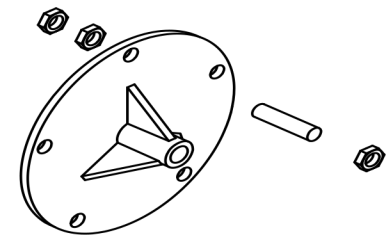
275mm X 8
3/4 & 1 STUD
34901



285.75 X 10
1" STUD
42901

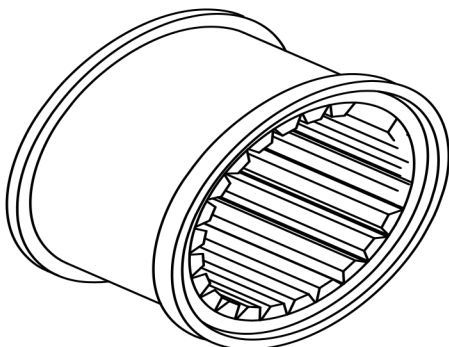


11.25 X 10
1-1/8 STUD
39901



335mm X 10
1" STUD
43901

EXPANDING RIMS



8.410	13-16 X	6.375
8.510	13-16 X	8.0
9.410	14-17 X	7.50
10.410	17-20 X	8.125
11.410	20-22.5 X	9.00
12.410	22-24.5 X	9.00
13.410	20-22.5 X	11.75
14.710	14-17 X	10
172010	17-20 X	10

CONE ADAPTERS



INNER ADAPTER
78.038



OUTER ADAPTER
77.038-13



OUTER ADAPTER
77.038

UPA ADAPTERS



INNER ADAPTER
78.038



OUTER ADAPTER
77.038